



深圳市航昱微科技有限公司

SHENZHEN BLUESKY TECHNOLOGY CO.,LTD

SPECIFICATION FOR APPROVAL

承认书

Spec. No.: HYN4032-20210930

Issued Date: 2024-04-24

CUSTOMER:

客户

PART NAME: SMD Plastic NTC Varistors

名称 SMD塑封热敏电阻器

APPLICATION: Suppress Surge Cur

用途 抑制突破电流

PART NO.:

料号 HYN4032-162

UL FILE NO:

UL证书号

CUSTOMER PART NO.:

客户料号

客户承认 CUSTOMER CONFIRM

承认章 STAMP	核准 APPROVE	审核 CHECK	经办人 SIGNATURE

公司名称: 深圳市航昱微科技有限公司

SHENZHEN BLUESKY TECHNOLOGY CO.,LTD

公司地址: 深圳市福田区深南中路3027号嘉汇新城

汇商中心2918-2921室

电 话: 0755-83654115

传 真: 0755-83655503



深圳市航昱微科技有限公司

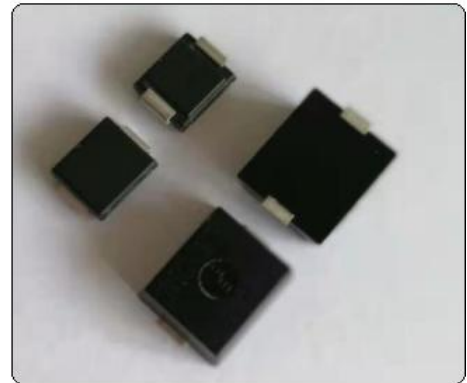
SHENZHEN BLUESKY TECHNOLOGY CO.,LTD

1、特点

1. 符合RoHS
2. 适用于表面安装技术回流焊及波峰焊
3. 结构小巧、节省空间
4. 强大的抑制浪涌电流能力
5. 包装材料满足UL94-V0

2、用途

1. 电源供应器
2. 家用电器
3. 工业设备
4. LED照明电源



3、编码规则

HY N -4032 - 16 2

1 2 3 4 5

1、HY:公司代码:航昱微

2、N:功率型负温度系数热敏电阻

3、尺寸:用代码表示

尺寸	3225	3535	4032	6355
----	------	------	------	------

4、阻值:如16~16Ω

5、最大冲击电流:如2~2A



深圳市航昱微科技有限公司

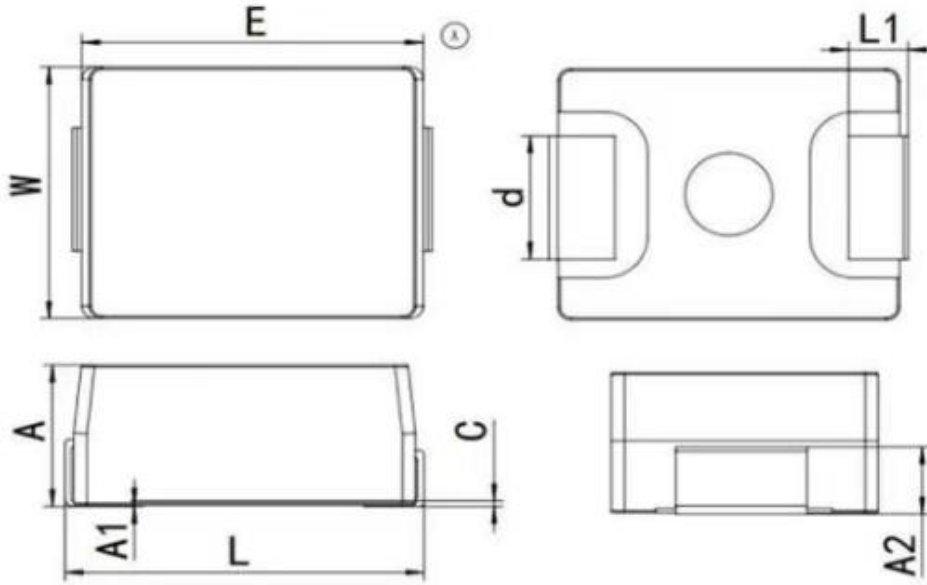
SHENZHEN BLUESKY TECHNOLOGY CO.,LTD

4. 外形尺寸 (Appearance)

4-1. 标志 Marking

HYN4032-162

4-2. 尺寸 Dimensional Drawing (mm)



UNIT		E	W	A	L	A1	A2	d	L1	C
mm	max	10.5	8.5	4.1	11.5	0.22	2.6	3.2	1.9	0.22
	cen	10	8.0	3.8	11	0.2	2.2	3.0	1.6	0.2
	min	9.5	7.5	3.5	10.5	0.18	1.8	2.8	1.4	0.18

4-3. 材料 (Materials)

- ①封装材料 (Wrapper) : 热熔树脂 (Fusible Resin)
- ②引线 (Down-lead) : 镀锡铜线排型 (Tinned Copper Wire L-shape)
- ③颜色 (Coating color) : 黑色 (Black)

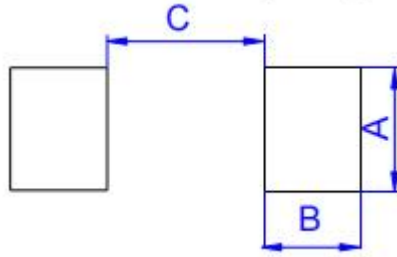


深圳市航昱微科技有限公司

SHENZHEN BLUESKY TECHNOLOGY CO.,LTD

4-4. 焊盘布局、尺寸 Recommended size of solder paste or size (mm)

项目(4032)	A	B	C
尺寸 (EIA)	3.5	2.8	6.5





深圳市航昱微科技有限公司

SHENZHEN BLUESKY TECHNOLOGY CO.,LTD

5. 主要技术参数 (Parameters of Technology)

- ①25℃时零功率电阻值 (Ω) (Zero Power Resistance at 25℃) : 16±20%
- ②B 值25/50℃ (K) (B Value) : 2900±10%
- ③热时间常数(S) (Thermal Time Constant) : 46
- ④热耗散系数 (mW/℃) (Thermal Dissipation Constant) : 18
- ⑤工作温度 (℃) (Operating Temperature) : -40 - +150
- ⑥最大稳态电流(I_{max}/25℃) (Max Steady State Current) : 2A
- ⑦最大冲击电容量(μF/240V) (Max. Shock Capacity) : 220

6. 电气性能及要求 (electrical properties and requirements)

项目	测试方法	性能要求
零功率电阻值	在25℃下, 当由于电阻体内部发热引起的电阻值变化相对于总测量误差可以忽略不计时所测得的电阻值。	见电特性参数
B值	B值可以用25℃和50℃时的零功率电阻值计算出来。其计算公式是: $B = \frac{T_1 * T_2}{T_2 - T_1} * \ln \left(\frac{R_1}{R_2} \right)$	见电特性参数
热耗散系数	在规定的温度下, 热敏电阻中耗散的功率变化与热敏电阻相应温度变化之比。其单位: mw/℃	见电特性参数
热时间常数	在零功率条件下, 当温度发生变化时, 热敏电阻的温度变化为其初始的和最终的温度差的63.2%所需的时间。	见电特性参数
工作温度	热敏电阻器长期连续工作所允许的温度范围。	-40--+150℃
最大稳态电流	通电1000h后, 电流达到稳态时, 热敏电阻所承受的最大电流。	见电特性参数
稳态湿热	温度40±2℃, 相对湿度93±3%, 存放1000±2小时后, 在正常状态下1小时。	无可见损伤、标志清晰、无击穿或飞弧, 绝缘电阻大于100MΩ。电阻值的最大变化率在±15%以内。
耐电压	施加1200ACV电压, 时间60S, 电压加在电阻器引线及绝缘层之间	无击穿或飞弧
温度快速变化	-40℃/30 → 25℃/5 → +180℃/30 → 25℃/5	电阻变化率±20%

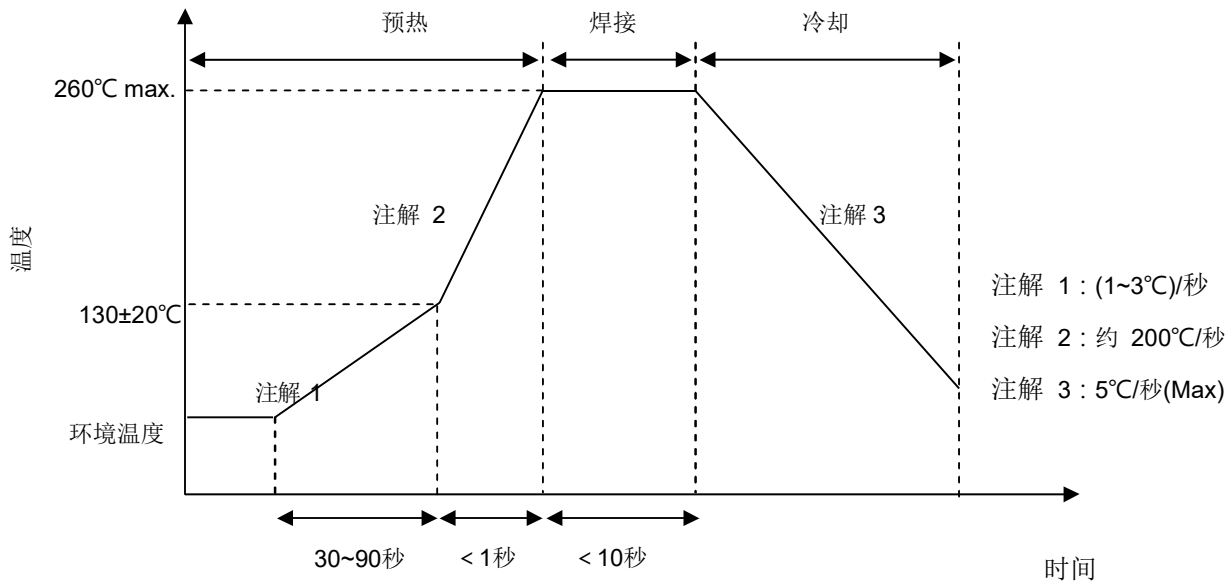


深圳市航昱微科技有限公司

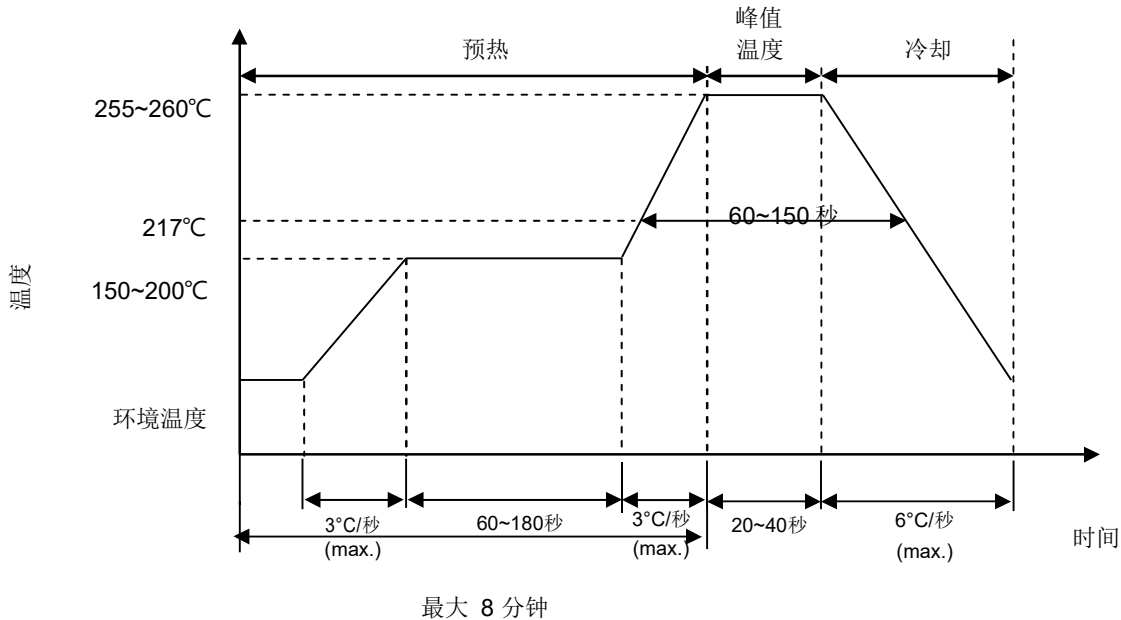
SHENZHEN BLUESKY TECHNOLOGY CO.,LTD

7、推荐焊接条件

7-1波峰焊曲线



7-2回流焊曲线



7-3烙铁重工焊接条件

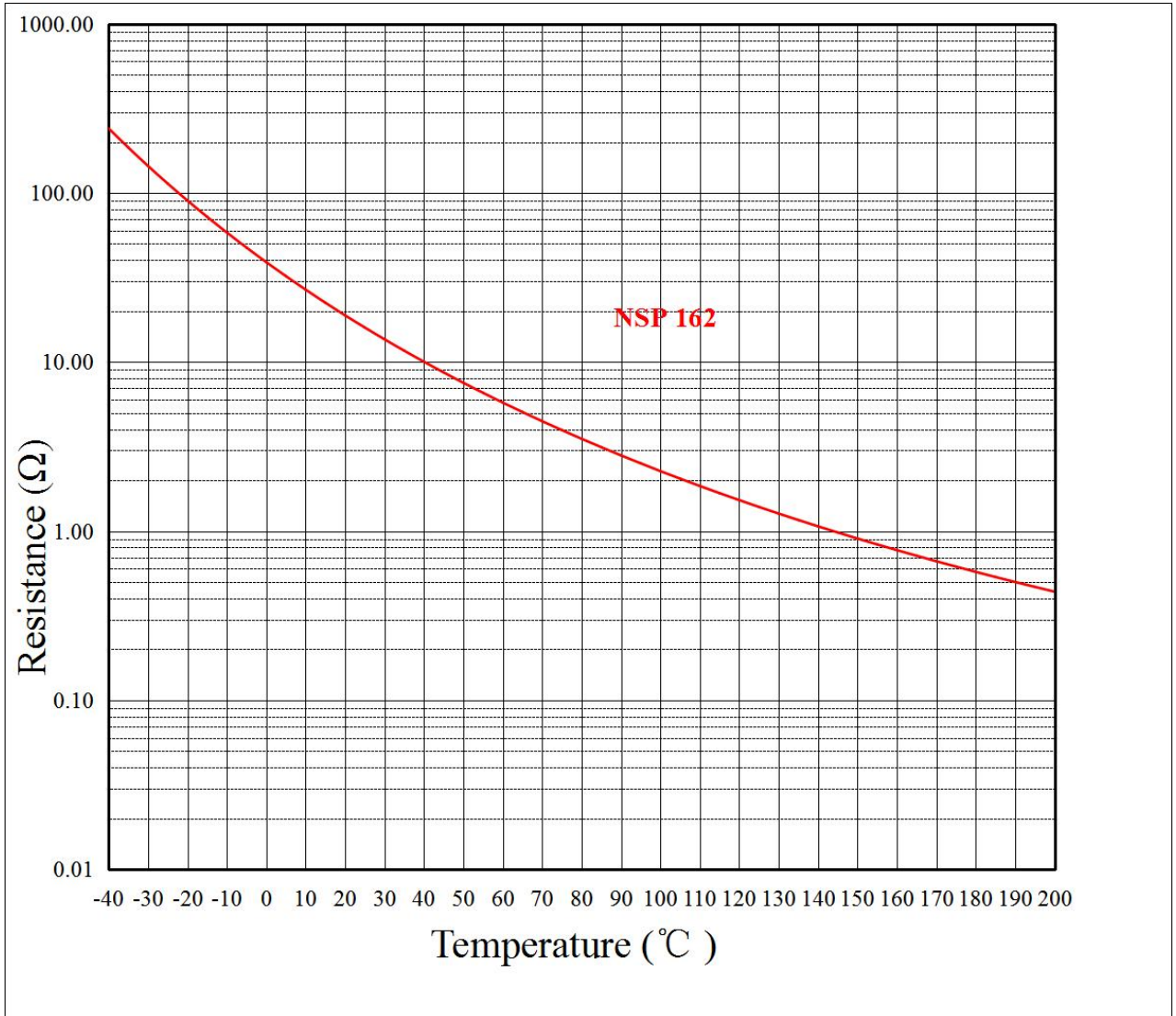
项目	条件
烙铁头部温度	350°C (max.)
焊接时间	3 sec (max.)
烙铁头直径	Φ3 mm (max.)



深圳市航昱微科技有限公司

SHENZHEN BLUESKY TECHNOLOGY CO.,LTD

8. R-T表





深圳市航昱微科技有限公司

SHENZHEN BLUESKY TECHNOLOGY CO.,LTD

型号:	HYN4032-162				R :	16	ohms±	20%
					B :	2900	° K ±	10%
网址: http://www.hywsm.com/								
温度	阻值 (Ω)			温度系数	阻值精度偏差 (%)		测温精度偏差 (°C)	
(°C)	下限值	中心值	上限值	(%/°C)	最小	最大	最小	最大
-40.0	70.1599	105.9489	153.5944	-1.86	-33.78	44.97	-24.23	18.20
-39.0	68.9737	103.9605	150.4265	-1.93	-33.65	44.70	-23.13	17.41
-38.0	67.7618	101.9330	147.2026	-2.01	-33.52	44.41	-22.14	16.71
-37.0	66.5283	99.8733	143.9341	-2.08	-33.39	44.12	-21.25	16.08
-36.0	65.2770	97.7883	140.6322	-2.14	-33.25	43.81	-20.44	15.51
-35.0	64.0114	95.6841	137.3070	-2.21	-33.10	43.50	-19.71	15.00
-34.0	62.7351	93.5666	133.9684	-2.27	-32.95	43.18	-19.04	14.53
-33.0	61.4513	91.4415	130.6251	-2.33	-32.80	42.85	-18.42	14.10
-32.0	60.1628	89.3137	127.2856	-2.38	-32.64	42.52	-17.85	13.70
-31.0	58.8727	87.1881	123.9574	-2.43	-32.48	42.17	-17.32	13.34
-30.0	57.5833	85.0692	120.6476	-2.49	-32.31	41.82	-16.83	13.00
-29.0	56.2973	82.9608	117.3626	-2.53	-32.14	41.47	-16.37	12.69
-28.0	55.0168	80.8668	114.1082	-2.58	-31.97	41.11	-15.94	12.39
-27.0	53.7439	78.7906	110.8897	-2.62	-31.79	40.74	-15.53	12.12
-26.0	52.4804	76.7352	107.7118	-2.66	-31.61	40.37	-15.15	11.87
-25.0	51.2281	74.7034	104.5788	-2.70	-31.42	39.99	-14.80	11.63
-24.0	49.9886	72.6977	101.4944	-2.74	-31.24	39.61	-14.46	11.40
-23.0	48.7632	70.7203	98.4618	-2.78	-31.05	39.23	-14.14	11.19
-22.0	47.5532	68.7732	95.4840	-2.81	-30.86	38.84	-13.83	10.99
-21.0	46.3597	66.8581	92.5633	-2.84	-30.66	38.45	-13.54	10.80
-20.0	45.1838	64.9766	89.7019	-2.87	-30.46	38.05	-13.26	10.62
-19.0	44.0264	63.1298	86.9014	-2.90	-30.26	37.66	-13.00	10.44
-18.0	42.8881	61.3188	84.1633	-2.92	-30.06	37.26	-12.74	10.28
-17.0	41.7697	59.5447	81.4886	-2.95	-29.85	36.85	-12.50	10.13
-16.0	40.6716	57.8081	78.8781	-2.97	-29.64	36.45	-12.27	9.98
-15.0	39.5945	56.1095	76.3325	-2.99	-29.43	36.04	-12.04	9.83
-14.0	38.5386	54.4495	73.8520	-3.01	-29.22	35.63	-11.83	9.70
-13.0	37.5043	52.8282	71.4368	-3.03	-29.01	35.22	-11.62	9.57
-12.0	36.4918	51.2459	69.0867	-3.05	-28.79	34.81	-11.42	9.44
-11.0	35.5012	49.7026	66.8015	-3.07	-28.57	34.40	-11.22	9.32
-10.0	34.5327	48.1983	64.5808	-3.08	-28.35	33.99	-11.03	9.20
-9.0	33.5862	46.7327	62.4241	-3.09	-28.13	33.58	-10.85	9.09
-8.0	32.6618	45.3057	60.3306	-3.11	-27.91	33.16	-10.67	8.98
-7.0	31.7593	43.9170	58.2995	-3.12	-27.68	32.75	-10.50	8.88
-6.0	30.8787	42.5661	56.3300	-3.13	-27.46	32.34	-10.33	8.77
-5.0	30.0199	41.2527	54.4211	-3.14	-27.23	31.92	-10.17	8.68
-4.0	29.1826	39.9763	52.5716	-3.15	-27.00	31.51	-10.01	8.58



深圳市航昱微科技有限公司

SHENZHEN BLUESKY TECHNOLOGY CO.,LTD

-3.0	28.3666	38.7362	50.7806	-3.15	-26.77	31.09	-9.86	8.49
-2.0	27.5717	37.5320	49.0468	-3.16	-26.54	30.68	-9.70	8.39
-1.0	26.7976	36.3630	47.3691	-3.17	-26.31	30.27	-9.56	8.31
0.0	26.0440	35.2286	45.7461	-3.17	-26.07	29.86	-9.41	8.22
1.0	25.3106	34.1280	44.1765	-3.18	-25.84	29.44	-9.27	8.14
2.0	24.5970	33.0607	42.6592	-3.18	-25.60	29.03	-9.13	8.05
3.0	23.9030	32.0259	41.1927	-3.18	-25.36	28.62	-9.00	7.97
4.0	23.2281	31.0228	39.7757	-3.18	-25.13	28.21	-8.86	7.89
5.0	22.5721	30.0507	38.4069	-3.18	-24.89	27.81	-8.73	7.82
6.0	21.9344	29.1089	37.0850	-3.18	-24.65	27.40	-8.61	7.74
7.0	21.3148	28.1967	35.8086	-3.18	-24.41	27.00	-8.48	7.67
8.0	20.7128	27.3133	34.5764	-3.18	-24.17	26.59	-8.36	7.59
9.0	20.1280	26.4579	33.3872	-3.18	-23.92	26.19	-8.23	7.52
10.0	19.5601	25.6298	32.2395	-3.18	-23.68	25.79	-8.11	7.45
11.0	19.0087	24.8282	31.1321	-3.18	-23.44	25.39	-7.99	7.38
12.0	18.4733	24.0524	30.0638	-3.17	-23.20	24.99	-7.88	7.31
13.0	17.9536	23.3018	29.0334	-3.17	-22.95	24.60	-7.76	7.24
14.0	17.4492	22.5755	28.0395	-3.16	-22.71	24.20	-7.65	7.18
15.0	16.9597	21.8729	27.0810	-3.16	-22.46	23.81	-7.54	7.11
16.0	16.4846	21.1932	26.1568	-3.15	-22.22	23.42	-7.43	7.04
17.0	16.0237	20.5358	25.2657	-3.15	-21.97	23.03	-7.32	6.98
18.0	15.5765	19.9000	24.4066	-3.14	-21.73	22.65	-7.21	6.91
19.0	15.1426	19.2851	23.5783	-3.14	-21.48	22.26	-7.10	6.85
20.0	14.7218	18.6905	22.7799	-3.13	-21.23	21.88	-6.99	6.79
21.0	14.3136	18.1155	22.0103	-3.12	-20.99	21.50	-6.89	6.73
22.0	13.9176	17.5596	21.2684	-3.11	-20.74	21.12	-6.79	6.66
23.0	13.5336	17.0221	20.5534	-3.10	-20.49	20.75	-6.68	6.60
24.0	13.1612	16.5024	19.8642	-3.10	-20.25	20.37	-6.58	6.54
25.0	12.8000	16.0000	19.2000	-3.09	-20.00	20.00	-6.48	6.48
26.0	12.3732	15.5143	18.6746	-3.08	-20.25	20.37	-6.62	6.58
27.0	11.9619	15.0447	18.1651	-3.07	-20.49	20.74	-6.76	6.68
28.0	11.5654	14.5907	17.6710	-3.06	-20.73	21.11	-6.90	6.78
29.0	11.1833	14.1518	17.1919	-3.05	-20.98	21.48	-7.05	6.88
30.0	10.8151	13.7275	16.7273	-3.04	-21.22	21.85	-7.19	6.98
31.0	10.4601	13.3174	16.2768	-3.03	-21.45	22.22	-7.34	7.08
32.0	10.1180	12.9208	15.8399	-3.02	-21.69	22.59	-7.49	7.19
33.0	9.7883	12.5374	15.4163	-3.01	-21.93	22.96	-7.64	7.29
34.0	9.4704	12.1668	15.0055	-3.00	-22.16	23.33	-7.79	7.40
35.0	9.1641	11.8084	14.6071	-2.98	-22.39	23.70	-7.94	7.50
36.0	8.8687	11.4619	14.2208	-2.97	-22.62	24.07	-8.10	7.61
37.0	8.5840	11.1269	13.8461	-2.96	-22.85	24.44	-8.25	7.72
38.0	8.3095	10.8029	13.4828	-2.95	-23.08	24.81	-8.41	7.83
39.0	8.0448	10.4897	13.1304	-2.94	-23.31	25.17	-8.57	7.94



深圳市航昱微科技有限公司

SHENZHEN BLUESKY TECHNOLOGY CO.,LTD

40.0	7.7896	10.1867	12.7886	-2.92	-23.53	25.54	-8.73	8.05
41.0	7.5436	9.8938	12.4572	-2.91	-23.75	25.91	-8.90	8.16
42.0	7.3063	9.6104	12.1356	-2.90	-23.98	26.28	-9.06	8.27
43.0	7.0774	9.3364	11.8237	-2.89	-24.20	26.64	-9.23	8.38
44.0	6.8567	9.0713	11.5212	-2.87	-24.41	27.01	-9.40	8.50
45.0	6.6439	8.8150	11.2277	-2.86	-24.63	27.37	-9.57	8.61
46.0	6.4385	8.5669	10.9430	-2.85	-24.84	27.74	-9.74	8.72
47.0	6.2404	8.3270	10.6667	-2.83	-25.06	28.10	-9.91	8.84
48.0	6.0493	8.0948	10.3987	-2.82	-25.27	28.46	-10.09	8.96
49.0	5.8649	7.8702	10.1386	-2.81	-25.48	28.82	-10.27	9.08
50.0	5.6869	7.6528	9.8862	-2.79	-25.69	29.18	-10.44	9.19
51.0	5.5152	7.4424	9.6413	-2.78	-25.89	29.55	-10.63	9.31
52.0	5.3495	7.2388	9.4036	-2.77	-26.10	29.91	-10.81	9.43
53.0	5.1895	7.0418	9.1729	-2.75	-26.30	30.26	-10.99	9.55
54.0	5.0351	6.8510	8.9489	-2.74	-26.51	30.62	-11.18	9.68
55.0	4.8860	6.6663	8.7315	-2.73	-26.71	30.98	-11.37	9.80
56.0	4.7420	6.4875	8.5205	-2.71	-26.91	31.34	-11.56	9.92
57.0	4.6030	6.3144	8.3156	-2.70	-27.10	31.69	-11.75	10.05
58.0	4.4688	6.1468	8.1167	-2.68	-27.30	32.05	-11.94	10.17
59.0	4.3391	5.9844	7.9235	-2.67	-27.49	32.40	-12.14	10.30
60.0	4.2139	5.8272	7.7358	-2.66	-27.69	32.75	-12.33	10.43
61.0	4.0929	5.6749	7.5536	-2.64	-27.88	33.11	-12.53	10.55
62.0	3.9760	5.5274	7.3767	-2.63	-28.07	33.46	-12.73	10.68
63.0	3.8631	5.3844	7.2047	-2.61	-28.25	33.81	-12.94	10.81
64.0	3.7539	5.2459	7.0377	-2.60	-28.44	34.16	-13.14	10.94
65.0	3.6484	5.1117	6.8755	-2.58	-28.63	34.50	-13.35	11.08
66.0	3.5464	4.9816	6.7178	-2.57	-28.81	34.85	-13.56	11.21
67.0	3.4478	4.8556	6.5646	-2.56	-28.99	35.20	-13.77	11.34
68.0	3.3525	4.7334	6.4157	-2.54	-29.17	35.54	-13.98	11.48
69.0	3.2603	4.6149	6.2710	-2.53	-29.35	35.89	-14.20	11.61
70.0	3.1711	4.5000	6.1304	-2.51	-29.53	36.23	-14.42	11.75
71.0	3.0849	4.3887	5.9937	-2.50	-29.71	36.57	-14.63	11.89
72.0	3.0015	4.2807	5.8608	-2.48	-29.88	36.91	-14.86	12.03
73.0	2.9208	4.1759	5.7315	-2.47	-30.06	37.25	-15.08	12.17
74.0	2.8427	4.0743	5.6059	-2.46	-30.23	37.59	-15.30	12.31
75.0	2.7672	3.9757	5.4836	-2.44	-30.40	37.93	-15.53	12.45
76.0	2.6941	3.8801	5.3648	-2.43	-30.57	38.26	-15.76	12.59
77.0	2.6233	3.7873	5.2492	-2.41	-30.74	38.60	-15.99	12.74
78.0	2.5547	3.6973	5.1367	-2.40	-30.90	38.93	-16.23	12.88
79.0	2.4884	3.6099	5.0273	-2.39	-31.07	39.27	-16.46	13.03
80.0	2.4241	3.5250	4.9209	-2.37	-31.23	39.60	-16.70	13.17
81.0	2.3619	3.4427	4.8173	-2.36	-31.39	39.93	-16.94	13.32
82.0	2.3017	3.3627	4.7165	-2.34	-31.55	40.26	-17.18	13.47



深圳市航昱微科技有限公司

SHENZHEN BLUESKY TECHNOLOGY CO.,LTD

83.0	2.2433	3.2851	4.6184	-2.33	-31.71	40.58	-17.43	13.62
84.0	2.1867	3.2097	4.5229	-2.31	-31.87	40.91	-17.68	13.77
85.0	2.1319	3.1365	4.4299	-2.30	-32.03	41.24	-17.93	13.92
86.0	2.0788	3.0654	4.3394	-2.29	-32.18	41.56	-18.18	14.08
87.0	2.0273	2.9963	4.2513	-2.27	-32.34	41.88	-18.43	14.23
88.0	1.9774	2.9292	4.1655	-2.26	-32.49	42.21	-18.69	14.39
89.0	1.9291	2.8640	4.0819	-2.24	-32.64	42.53	-18.95	14.54
90.0	1.8822	2.8006	4.0006	-2.23	-32.79	42.85	-19.21	14.70
91.0	1.8367	2.7390	3.9213	-2.22	-32.94	43.16	-19.47	14.86
92.0	1.7926	2.6791	3.8440	-2.20	-33.09	43.48	-19.73	15.02
93.0	1.7498	2.6209	3.7688	-2.19	-33.24	43.80	-20.00	15.18
94.0	1.7083	2.5643	3.6955	-2.18	-33.38	44.11	-20.27	15.34
95.0	1.6680	2.5093	3.6241	-2.16	-33.53	44.42	-20.55	15.51
96.0	1.6289	2.4558	3.5544	-2.15	-33.67	44.74	-20.82	15.67
97.0	1.5910	2.4038	3.4866	-2.14	-33.81	45.05	-21.10	15.84
98.0	1.5542	2.3532	3.4204	-2.12	-33.95	45.35	-21.38	16.00
99.0	1.5184	2.3039	3.3559	-2.11	-34.09	45.66	-21.66	16.17
100.0	1.4837	2.2560	3.2931	-2.09	-34.23	45.97	-21.94	16.34
101.0	1.4500	2.2094	3.2317	-2.08	-34.37	46.27	-22.23	16.51
102.0	1.4173	2.1640	3.1720	-2.07	-34.51	46.58	-22.52	16.68
103.0	1.3855	2.1199	3.1137	-2.05	-34.64	46.88	-22.81	16.86
104.0	1.3547	2.0769	3.0568	-2.04	-34.77	47.18	-23.11	17.03
105.0	1.3247	2.0350	3.0013	-2.03	-34.91	47.48	-23.41	17.21
106.0	1.2955	1.9943	2.9472	-2.02	-35.04	47.78	-23.71	17.38
107.0	1.2672	1.9546	2.8944	-2.00	-35.17	48.08	-24.01	17.56
108.0	1.2397	1.9160	2.8428	-1.99	-35.30	48.37	-24.31	17.74
109.0	1.2129	1.8784	2.7925	-1.98	-35.43	48.67	-24.62	17.92
110.0	1.1869	1.8417	2.7435	-1.96	-35.55	48.96	-24.93	18.10
111.0	1.1617	1.8060	2.6956	-1.95	-35.68	49.25	-25.24	18.29
112.0	1.1371	1.7713	2.6488	-1.94	-35.80	49.54	-25.56	18.47
113.0	1.1132	1.7374	2.6031	-1.93	-35.93	49.83	-25.88	18.66
114.0	1.0899	1.7043	2.5586	-1.91	-36.05	50.12	-26.20	18.85
115.0	1.0673	1.6722	2.5150	-1.90	-36.17	50.41	-26.52	19.03
116.0	1.0453	1.6408	2.4725	-1.89	-36.29	50.69	-26.85	19.22
117.0	1.0239	1.6102	2.4310	-1.88	-36.41	50.98	-27.18	19.42
118.0	1.0030	1.5804	2.3904	-1.86	-36.53	51.26	-27.51	19.61
119.0	0.9828	1.5513	2.3508	-1.85	-36.65	51.54	-27.85	19.80
120.0	0.9630	1.5230	2.3121	-1.84	-36.77	51.82	-28.19	20.00
121.0	0.9438	1.4953	2.2743	-1.83	-36.88	52.10	-28.53	20.20
122.0	0.9251	1.4683	2.2374	-1.81	-37.00	52.37	-28.87	20.39
123.0	0.9069	1.4420	2.2012	-1.80	-37.11	52.65	-29.22	20.59
124.0	0.8891	1.4163	2.1659	-1.79	-37.22	52.92	-29.57	20.79
125.0	0.8719	1.3913	2.1314	-1.78	-37.34	53.20	-29.92	21.00



深圳市航昱微科技有限公司

SHENZHEN BLUESKY TECHNOLOGY CO.,LTD

126.0	0.8550	1.3669	2.0977	-1.77	-37.45	53.47	-30.27	21.20
127.0	0.8386	1.3430	2.0647	-1.75	-37.56	53.74	-30.63	21.41
128.0	0.8226	1.3197	2.0325	-1.74	-37.67	54.01	-30.99	21.61
129.0	0.8071	1.2970	2.0010	-1.73	-37.77	54.28	-31.36	21.82
130.0	0.7919	1.2748	1.9702	-1.72	-37.88	54.54	-31.72	22.03
131.0	0.7771	1.2532	1.9400	-1.71	-37.99	54.81	-32.09	22.24
132.0	0.7627	1.2320	1.9105	-1.70	-38.09	55.07	-32.47	22.46
133.0	0.7487	1.2114	1.8817	-1.68	-38.20	55.33	-32.84	22.67
134.0	0.7350	1.1912	1.8534	-1.67	-38.30	55.59	-33.22	22.89
135.0	0.7216	1.1715	1.8258	-1.66	-38.40	55.85	-33.60	23.11
136.0	0.7086	1.1522	1.7988	-1.65	-38.51	56.11	-33.99	23.32
137.0	0.6959	1.1334	1.7724	-1.64	-38.61	56.37	-34.38	23.55
138.0	0.6835	1.1151	1.7465	-1.63	-38.71	56.63	-34.77	23.77
139.0	0.6714	1.0971	1.7212	-1.62	-38.81	56.88	-35.17	23.99
140.0	0.6596	1.0796	1.6964	-1.61	-38.91	57.13	-35.56	24.22
141.0	0.6481	1.0624	1.6721	-1.60	-39.00	57.38	-35.97	24.45
142.0	0.6368	1.0457	1.6484	-1.58	-39.10	57.64	-36.37	24.67
143.0	0.6258	1.0293	1.6251	-1.57	-39.20	57.88	-36.78	24.90
144.0	0.6151	1.0133	1.6023	-1.56	-39.29	58.13	-37.19	25.14
145.0	0.6047	0.9976	1.5800	-1.55	-39.39	58.38	-37.61	25.37
146.0	0.5945	0.9823	1.5582	-1.54	-39.48	58.62	-38.02	25.61
147.0	0.5845	0.9673	1.5368	-1.53	-39.57	58.87	-38.45	25.84
148.0	0.5748	0.9527	1.5158	-1.52	-39.66	59.11	-38.87	26.08
149.0	0.5653	0.9383	1.4953	-1.51	-39.76	59.35	-39.30	26.32
150.0	0.5560	0.9243	1.4751	-1.50	-39.85	59.59	-39.73	26.57
151.0	0.5469	0.9106	1.4554	-1.49	-39.94	59.83	-40.17	26.81
152.0	0.5381	0.8972	1.4361	-1.48	-40.03	60.07	-40.61	27.06
153.0	0.5294	0.8841	1.4172	-1.47	-40.11	60.30	-41.05	27.30
154.0	0.5210	0.8712	1.3986	-1.46	-40.20	60.54	-41.49	27.55
155.0	0.5127	0.8586	1.3805	-1.45	-40.29	60.77	-41.94	27.81
156.0	0.5046	0.8463	1.3626	-1.44	-40.37	61.00	-42.40	28.06
157.0	0.4967	0.8343	1.3452	-1.43	-40.46	61.24	-42.85	28.31
158.0	0.4890	0.8225	1.3280	-1.42	-40.54	61.47	-43.31	28.57
159.0	0.4815	0.8109	1.3112	-1.41	-40.63	61.69	-43.78	28.83
160.0	0.4741	0.7996	1.2948	-1.40	-40.71	61.92	-44.25	29.09
161.0	0.4669	0.7886	1.2786	-1.39	-40.79	62.15	-44.72	29.35
162.0	0.4598	0.7777	1.2628	-1.38	-40.88	62.37	-45.19	29.62
163.0	0.4529	0.7671	1.2472	-1.37	-40.96	62.60	-45.67	29.89
164.0	0.4462	0.7567	1.2320	-1.36	-41.04	62.82	-46.16	30.15
165.0	0.4395	0.7465	1.2171	-1.35	-41.12	63.04	-46.64	30.42
166.0	0.4331	0.7365	1.2024	-1.34	-41.20	63.26	-47.13	30.70
167.0	0.4268	0.7267	1.1880	-1.33	-41.28	63.48	-47.63	30.97



深圳市航昱微科技有限公司

SHENZHEN BLUESKY TECHNOLOGY CO.,LTD

168.0	0.4206	0.7171	1.1739	-1.32	-41.35	63.69	-48.13	31.25
169.0	0.4145	0.7077	1.1600	-1.31	-41.43	63.91	-48.63	31.53
170.0	0.4086	0.6985	1.1465	-1.31	-41.51	64.13	-49.14	31.81
171.0	0.4028	0.6895	1.1331	-1.30	-41.58	64.34	-49.65	32.09
172.0	0.3971	0.6807	1.1200	-1.29	-41.66	64.55	-50.16	32.37
173.0	0.3915	0.6720	1.1072	-1.28	-41.73	64.76	-50.68	32.66
174.0	0.3861	0.6635	1.0946	-1.27	-41.81	64.97	-51.20	32.95
175.0	0.3808	0.6551	1.0822	-1.26	-41.88	65.18	-51.73	33.24
176.0	0.3755	0.6470	1.0700	-1.25	-41.95	65.39	-52.26	33.53
177.0	0.3704	0.6390	1.0581	-1.24	-42.03	65.59	-52.80	33.83
178.0	0.3654	0.6311	1.0463	-1.23	-42.10	65.80	-53.34	34.12
179.0	0.3605	0.6234	1.0348	-1.23	-42.17	66.00	-53.88	34.42
180.0	0.3557	0.6158	1.0235	-1.22	-42.24	66.21	-54.43	34.73



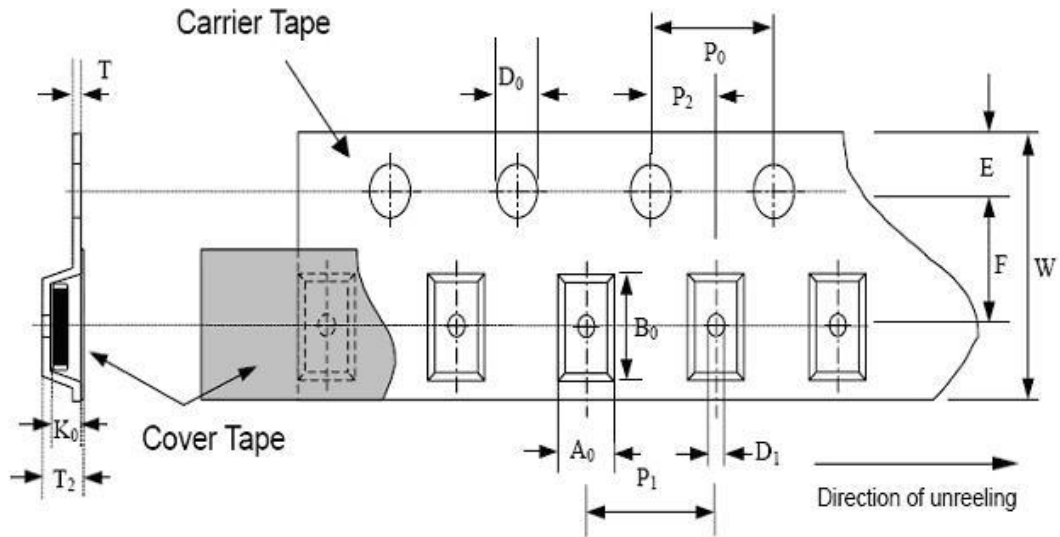
深圳市航昱微科技有限公司

SHENZHEN BLUESKY TECHNOLOGY CO.,LTD

9. 包装

9-1 编带包装方式说明

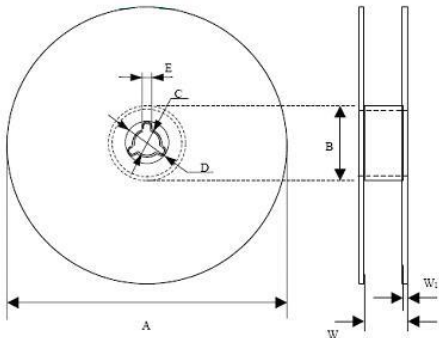
载带尺寸



(单位 : mm)

type	A0	B0	K0	T	T2	D0	D1	P1	P2	P0	W	E	F
3220	7.0	8.7	3.85	0.3	5.50	1.55	1.55	12.00	2.00	4.00	16.00	1.75	7.5
4032	8.4	10.8	3.85	0.3	5.50	1.55	1.55	12.00	2.00	4.00	24.00	1.75	11.5
公差	±0.20	±0.20	±0.10	max	max	+0.05	±0.05	±0.10	±0.05	±0.1	±0.30	±0.10	±0.05

9-2 数量: 1000 (pcs)



type	A	B	C	D	E	W	W1
4032	330.0±1.0	60.0±0.5	13.0±0.2	21.0±0.2	2.0±0.5	24.0±0.3	2.3±0.15



深圳市航昱微科技有限公司

SHENZHEN BLUESKY TECHNOLOGY CO.,LTD

(单位：mm)

10. 仓库存储条件

10-1 存储条件：

· 储存温度：-10℃~+45℃

相对湿度：≦75%RH

不要将本产品存放在有腐蚀性气体或是阳光直接照射的环境中保管。

10-2 存储期限：1年
